

F&C[®] Photoelectric type

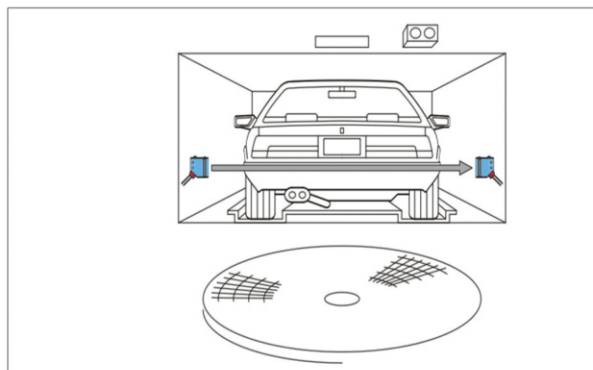
HR long distance photoelectric switch

New

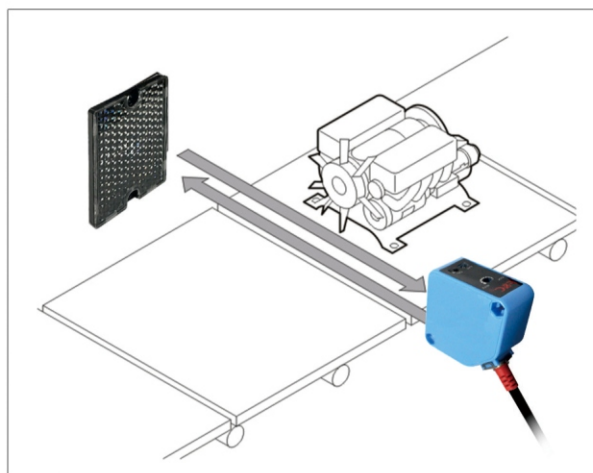


Application

Detecting parking position



Detecting engine



<http://www.fctaiwan.com>

Get more information on F&C sensor technology and developments

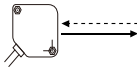
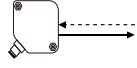
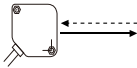
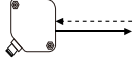
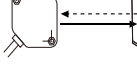
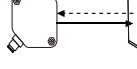
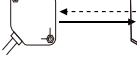
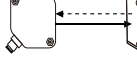
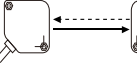
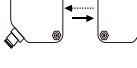


Official WeChat



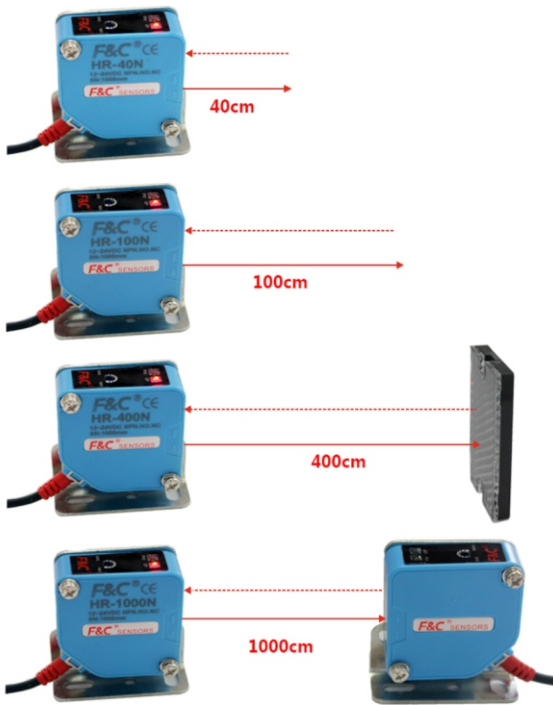
Technical Support

DR18 Series photoelectric
 DR12 Series photoelectric
 DR08/06 Series photoelectric
 QR Series photoelectric
 CR Series photoelectric
 Analog photoelectric
 BGS Series photoelectric
 HR long distance photoelectric
 Groove photoelectric
 PJ Sall photoelectric
 JG3 Series laser sensor

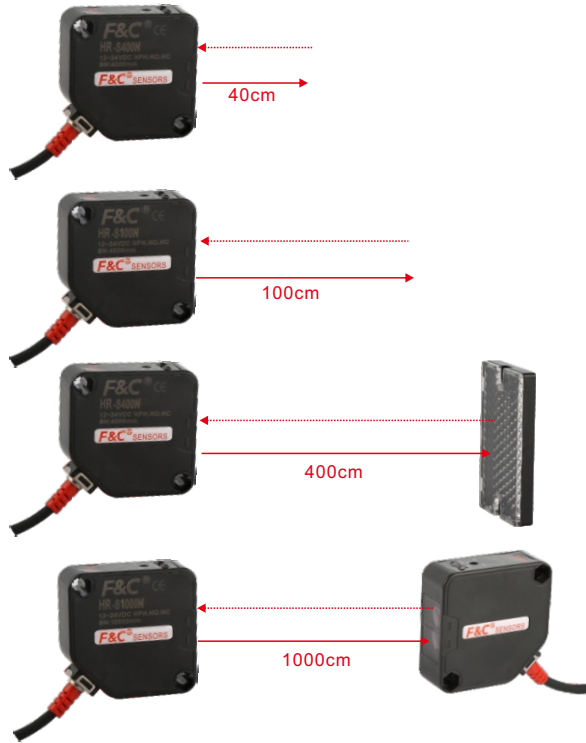
Installation method	Type	Outlook	Sensing distance	Model		Light souatus LED	Connecting method
				NPN	PNP		
Diffuse reflection			40cm	HRRI-S40NC R2M	HRRI-S40PC R2M	Infrared LED	Φ4 × 2M/4-wires
			40cm	HRRI-S40NC/D	HRRI-S40PC/D	Infrared LED	With M8 four-core connector
			1m	HRRI-S100NC R2M	HRRI-S100PC R2M	Infrared LED	Φ4 × 2M/4-wires
			1m	HRRI-S100NC/D	HRRI-S100PC/D	Infrared LED	With M8 four-core connector
Mirron	Large release		4m	HRMR-S400NC R2M	HRMR-S400PC R2M	Red LED	Φ4 × 2M/4-wires
			4m	HRMR-S400NC/D	HRMR-S400PC/D	Red LED	With M8 four-core connector
			4m	HRMI-S400NC R2M	HRMI-S400PC R2M	Infrared LED	Φ4 × 2M/4-wires
			4m	HRMI-S400NC/D	HRMI-S400PC/D	Infrared LED	With M8 four-core connector
			10m	HRTI-S1000NC R2M	HRTI-S1000PC R2M	Infrared LED	Φ4 × 2M/2-wires Φ4 × 2M/4-wires
Through beam			10m	HRTI-S1000NC/D	HRTI-S1000PC/D	Infrared LED	With M8 four-core connector

HR series long distance photoelectric switch

Blue shell HR series photoelectric switch

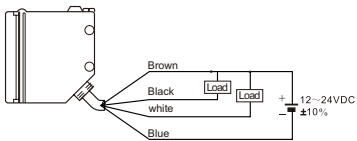
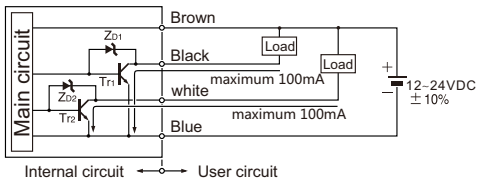


Black shell HR series photoelectric switch

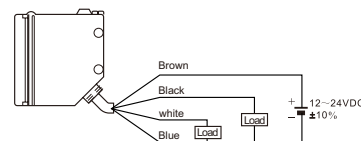
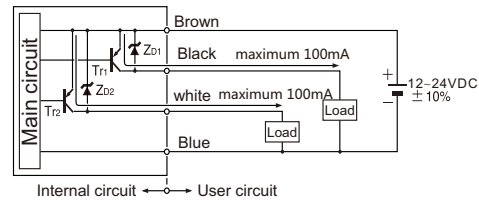


Wiring schemes

NPN.NO.NC



PNP.NO.NC



Pin layout



M8四线

1	Brown
2	Black
3	Blue
4	white

- DR18 Series photoelectric
- DR12 Series photoelectric
- DR08/06 Series photoelectric
- QR Series photoelectric
- CR Series photoelectric
- Analog photoelectric
- BGS Series photoelectric
- HR long distance photoelectric
- Groove photoelectric
- PJ Sall photoelectric
- JG3 Series laser sensor

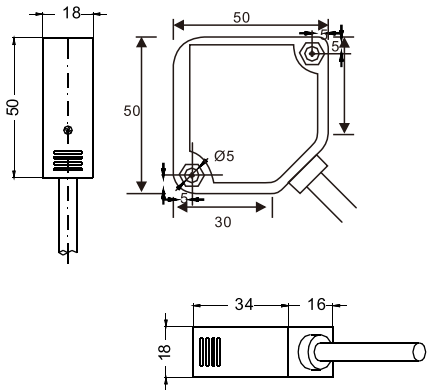
HR series long distance photoelectric switch



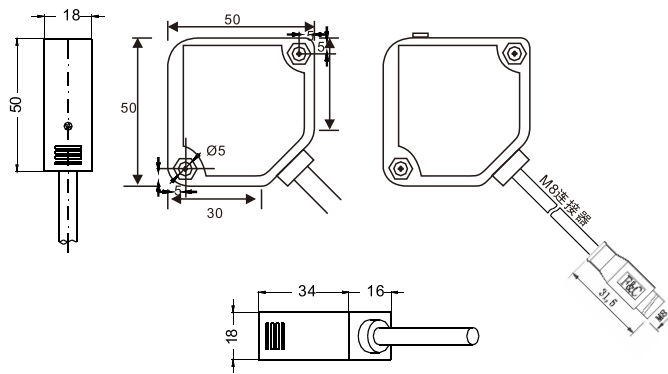
Project	Specification table		
DR18 Series photoelectric	Diffuse reflection	Mirror	Through beam reflection
DR12 Series photoelectric		Opaque object $\Phi 20.0 \times 0.8 \text{mm}$	Opaque object $\Phi 8.0 \times 0.8 \text{mm}$
DR08/06 Series photoelectric	Standard target	Opaque object $\Phi 25.0 \times 0.8 \text{mm}$ or more	Opaque object $\Phi 10.0 \times 0.8 \text{mm}$
QR Series photoelectric	Zero sensitivity adjustment	Yes	
CR Series photoelectric	Light source	940nm infrared modulated light	650nm infrared modulated light
Analog photoelectric	Hysteresis	< 2% Scanning distance	
BGS Series photoelectric	Operating Voltage	12~24VDC $\pm 10\%$ impulse (P-P) 10%	
HR long distance photoelectric	Current consumption	< 30mA	
Groove photoelectric	Load current	100mA	
PJ Sall photoelectric	Leakage current	< 0.01mA No Load	
JG3 Series laser sensor	Residual voltage	< 1.5VDC (Load current 100mA, wire 2M)	
	Repeatability	< 2% Scanning distance	
	Response frequency	300HZ	600HZ
	Reverse polarity protection	Yes	
	Short circuit protection	Yes	
	Output type	NPN.NO/NPN.NC PNP.NO/PNP.NC NPN.NO.NC/PNP.NO.NC	
	Response time	0.3ms	
	Insulation resistance	> 20M Ω (Between the charging part and the outer casing)	
	Dielectric strength	1000VDC 50~60Hz 1min (Between the charging part and the outer casing)	
	Ambient temperature	-10~50°C (Without icing or condensation)	
	Ambient humidity	35~85% HR Relative humidity	
	Ambient illumination	Sunlight: 2,000LX以下 , Light: 1,000LX以下	
	Storage temperature	-20~60°C (Without icing or condensation)	
	Storage humidity	35~95% HR Relative humidity	
	Protection degree	IP65	
	Connection	$\Phi 4.0 \times 2 \text{M} / 2\text{-wires}$ $\Phi 4.0 \times 2 \text{M} / 3\text{-wires}$ $\Phi 4.0 \times 2 \text{M} / 4\text{-wires}$ $\Phi 4.0 \text{Lead } 150 \text{mm}$ with M8 connector Direct with M12 connector	
	Material	ABS+PC	
	Weight	Approx: 76g/78g/78.5g/190g	

Dimensions

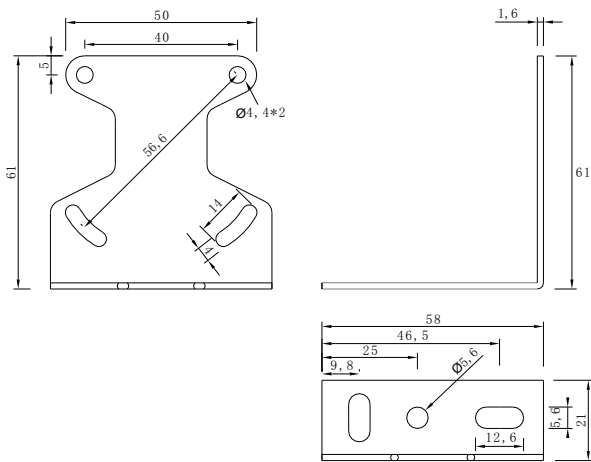
Straight outlet dimensions



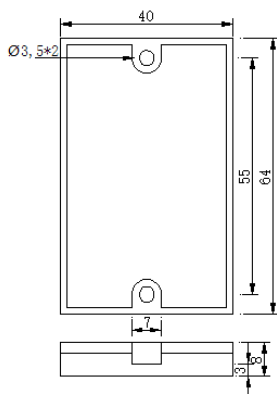
Direct with M8 connector (/15D) dimensions



Mounting bracket dimensions



Reflective lens dimensions



Photoelectric sensor

- DR18 Series photoelectric
- DR12 Series photoelectric
- DR08/06 Series photoelectric
- QR Series photoelectric
- CR Series photoelectric
- Analog photoelectric
- BGS Series photoelectric
- HR long distance photoelectric
- Groove photoelectric
- PJ Sall photoelectric
- JG3 Series laser sensor